

# eMotor/eCarrier Fluid Service Information



13400 Outer Drive, West, Detroit, Michigan 48239-4001  
Telephone: 313-592-5000  
[www.demanddetroit.com](http://www.demanddetroit.com)

**Specifications are subject to change without notice. Detroit Diesel Corporation is registered to ISO 9001:2001. Copyright © Detroit Diesel Corporation. All rights reserved. Detroit Diesel Corporation is a Daimler company. Printed in U.S.A.**

## Table of Contents

- 1. Introduction**
  - 1.1 Introduction
  - 1.2 eAxle Terminology
  - 1.3 Detroit™ eAxle Diagram
- 2. eMotor Fluid Information**
  - 2.1 eMotor Fluid – Lists of Approved Products
  - 2.2 eMotor Fluid Applications Factory Fill and Service Fill
- 3. Maintenance System**
  - 3.1 Maintenance System
- 4. eMotor Fluid Drain Intervals**
  - 4.1 eMotor Fluid Drain Intervals
- 5. eMotor Fluid Maintenance Information**
  - 5.1 eMotor Fluid Sampling
  - 5.2 eMotor Fluid Maintenance
- 6. Detroit™ Warranty Statement**
  - 6.1 Statement of Detroit™ Warranty
- 7. Detroit™ Warranty Statement**
  - 7.1 eAxle Tag Identification

# 1 Introduction

## 1.1 Introduction

This publication specifies eMotor fluids and drain intervals required for eAxles manufactured by Detroit™. Selection of approved eMotor fluids in conjunction with eMotor fluid maintenance is required to achieve optimal performance in Detroit™ eAxles.

## 1.2 eAxle Terminology

Detroit™ eAxles have the following terminology commonly used in the field.

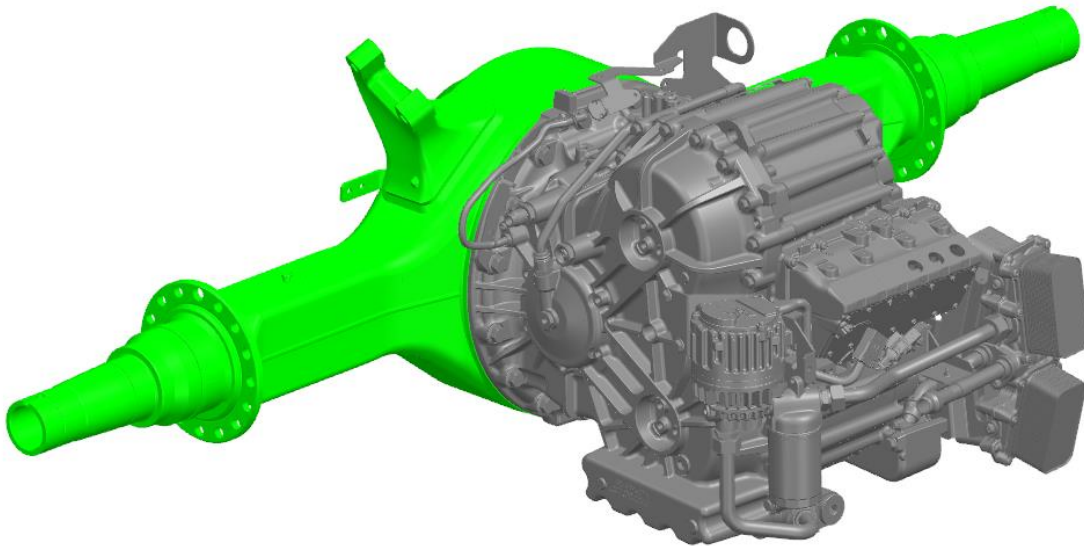
<b>Table 1: eAxle Terminology</b>			
<b>Core Models</b>	<b>Heavy Duty</b>	<b>Medium Duty</b>	<b>Detroit™ Axle Terminology</b>
DAE-RT-40.0-6	X		Detroit™ eAxle
DAE-RS-22.0-6	X		

# 1 Introduction

## 1.3 Detroit™ eAxle Diagram

The Detroit™ ePowertrain includes an eMotor (eCarrier) shown in gray in the diagram below and the eAxle (Differential) for the Gen 2 model show in green in the diagram below. This fluid brochure provides information for the fluid in the eMotor (eCarrier) shown in gray.

**Image 1: Gen 2 Detroit™ eAxle**



## 2 eMotor Fluid Information

### 2.1 eMotor Fluid - Lists of Approved Products

Any fluids approved per Detroit™ Fluids Specification DFS 93K230 are acceptable for use in the eMotor (eCarrier) of a Detroit™ eAxle.

List of approved eMotor (eCarrier) fluids for Detroit™ eAxles can be found on the DTNA Portal public website:

DTNA Portal website → Lubricants/Fuels/Coolants → [eMotor](#)

## 2 eMotor Fluid Information

### 2.2 eMotor Fluid Applications Factory Fill and Service Fill

<b>Table 3 : Factory and Service Fill - eMotor Fluid Specifications for Detroit™ eAxles</b>	
Specification	<b>DFS 93K230</b> (DTFR 10B100)
Axle Type	Gen 2 Detroit™ eAxle

## **3 Maintenance System**

### **3.1 Maintenance System**

Detroit™ eAxles are not currently equipped with Maintenance System.

## 4 eMotor Fluid Drain Intervals

### 4.1 eMotor Fluid Drain Intervals

This section outlines the eMotor fluid drain intervals for Detroit™ eAxles.

<b>Table 4: eMotor Fluid Change Intervals for Detroit™ eAxles using DFS 93K230</b>		
<b>Line Haul</b>	<b>Short Haul Pick Up &amp; Delivery</b>	<b>All other applications</b>
50,000 miles or 1 year (whichever comes first)		

**Note: Maintenance System is not available for Detroit™ eAxles.**



## **5 eMotor Fluid Maintenance Information**

### **5.1 eMotor Fluid Sampling**

Detroit™ currently does not have eMotor fluid sample kits. If your fleet has interest in doing sample analysis for eMotor fluid, please contact your Detroit™ representative or District Service Manager (DSM) for more information.

### **5.2 eMotor Fluid Maintenance**

Check fluid levels and inspect for leaks at regular vehicle maintenance intervals (see vehicle manual). If there is discoloration in the fluid, please flush and replace fluid per vehicle manual.

## **6 Detroit™ Warranty Statement**

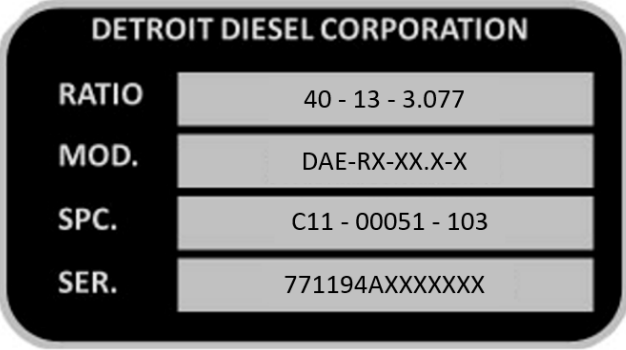
### **6.1 Detroit™ Warranty Statement**

Detroit™ is not responsible for the cost of maintenance or repairs due to the lack of performance of required maintenance services or the failure to use fluids meeting Detroit™ recommended specifications. Performance of required maintenance and use of proper fluids are the responsibility of the owner.

## 7 Appendix A

### eAxle Tag Identification

#### 7.1 eAxle Tag Identification

Table 2: eAxle Tag "MOD." Number Breakdown			
			
Code	Description		
DAE	Detroit™ Axle Electric		
RX	Configuration	RT	Tandem
		RS	Single
XX.X	Weight Rating (x 1000 lbs)		
X	Model Designation	6	Product Family